

shapeevents.com

# 3d suspended lighting

- 1: Screw in light bulb
- 2: Carefully wrap the elastic band over the lip on the base [ without applying pressure on light bulb ]
- 3: Adjust the cord length and secure the design to ceiling fixtures
- 4: Plug into a 120v outlet to light and inflate
- 5: Control:

Option A: Remote Control

A: light

B: Inflation

C: Timed inflation [ w/ expansion module ]

D: light + inflation

Option B: Reset Power by unplugging and then plugging in the power

1st reset: Turn on light

2nd reset: Turn on inflation

3rd reset: Turn on light + inflation



shapeevents.com

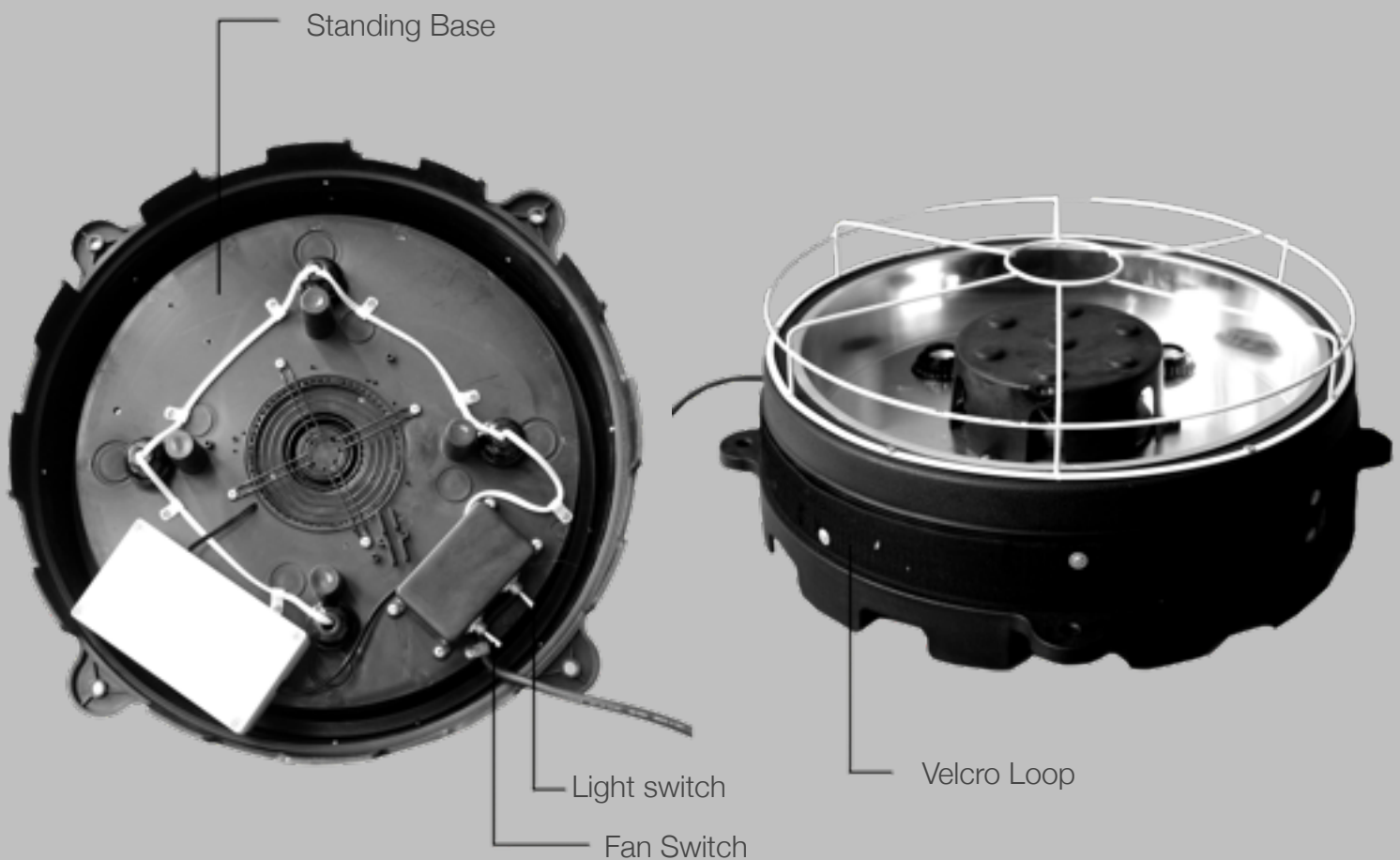
# 3d standing lighting

- 1: Screw in 2 (or more) light bulbs in the opposite sockets
- 2: Carefully wrap the inflatable design over the velcro loop on the base
- 4: Plug into a 120v outlet
- 5: Use the switches at the bottom of the base to turn on / off the light and the fan

[Optional ] Remote controlled color-changing light

Option A: Use the remote control to switch between modes

Option B: If there is no remote, switch off and then back on the lights within 5 seconds to rotate the choice of 16 single colors and 4 color-changing modes



**shapeevents.com**

# rental return check list

- Unscrew light bulbs from bases
- Bubble wrap the light bulbs separately
- Put the bases and other parts back into the protective cover as they arrived

## 50% off purchase

- offer valid until Oct 2011, for rented units. please call 1-888-815-2681.

## 10% credit

- for a set of 6 HD photos with our shapes from the event. please call 1-888-815-2681.